

Innovation For Creativity

metal ceilings and facades

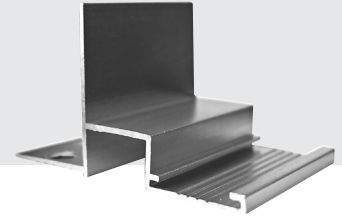


MADE IN ITALY
MANUFACTURING
QUALITY • DESIGN

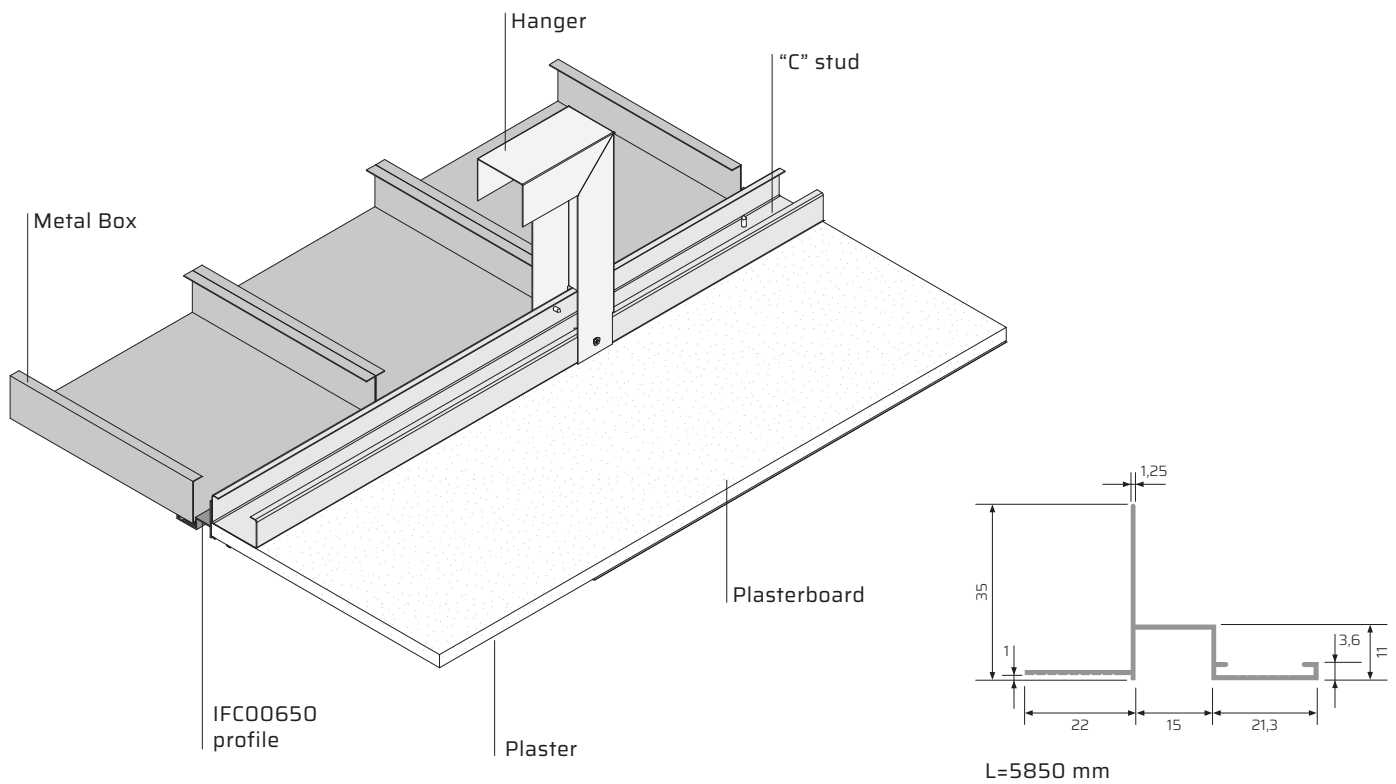
Extruded
aluminum profile

IFC00650

Application:
metal ceiling
and plasterboard
reveal profiles



It is possible to install the IFC0066 profile in combination with the IFC00650 profile.



VIEW

METAL BOX

