



MADE IN ITALY
MANUFACTURING
QUALITY DESIGN

Fox FRAME

**SUITABLE FOR
FOX T15 - FOX LINE
"Z" SYSTEM**

THE FINEST FRAME DESIGN FOR ISLAND CEILING SYSTEM WITH FOX T15, FOX LINE AND "Z" SYSTEM

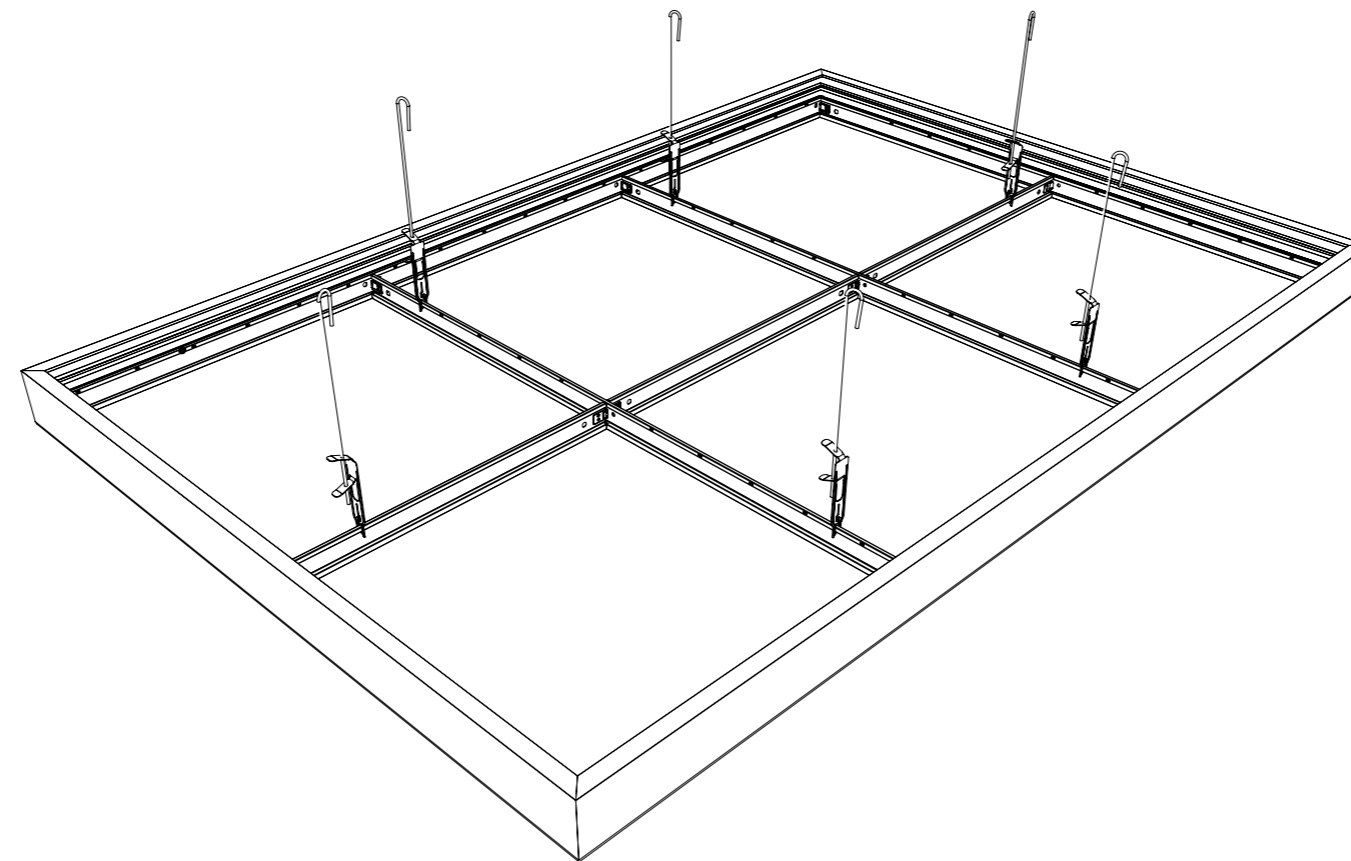
Fox FRAME

SUITABLE FOR
FOX T15, FOX LINE, "Z" SYSTEM

Made up of extruded aluminum, FOX FRAME is the new wall angle for floating ceilings with Fox T15, Fox Line and "Z" System:

- The **finest design**.
- Unique profile more application options.
- Suitable both for **FOX T15, FOX LINE** and **"Z" System**.
- High durability and corrosion resistance.
- RAL/NCS powder coating.
- Easy installation.
- 100% recyclable Eco design.
- VOC free | Reach RoHS compliance.

FOX frame - FOX LINE



Picture: Ceilig system 15 LINEAR DESIGN - FOX LINE

FLOATING CEILING SYSTEM - FOX LINE

T_GRID:

FOX LINE 600 | 1200 | 3600 mm
Bearing capacity 14 kg/m²

Color: White/White | Silver/Silver | White/Black | Silver/Black

PANELS:

15 Linear Design

Right edge - 9mm drop | 600x600 | 600x1200 mm
Alluminium: 5/10 - 6/10 - 7/10 | Steel: 5/10 - 6/10
Metal Mesh: R/Q 6-8-10 | Macramè made in steel

OPEN CELLS:

Base 4 h18 and h30

610x600 | 600x1200 mm | Alluminium: 4/10
Open Cell mesh: 20x20 | 30x30 | 40x40 | 50x50 | 60x60 | 75x75

WALL ANGLES:

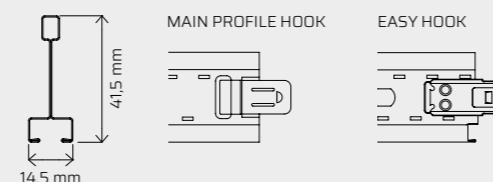
FOX FRAME in post painted extruded alluminium
Dimension: 25x100mm L=6000mm
Corner brackets to stiffen the system.

HANGERS: Twister, Nonius, Standard with spring, 90° hanger

Suspensions to evaluate according to the load at m², to the project features and antiseismic requirements.

STRUCTURE AND PANELS

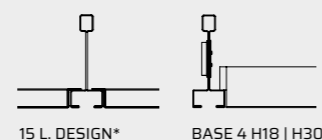
FOX LINE: 3600 | 1200 | 600 mm



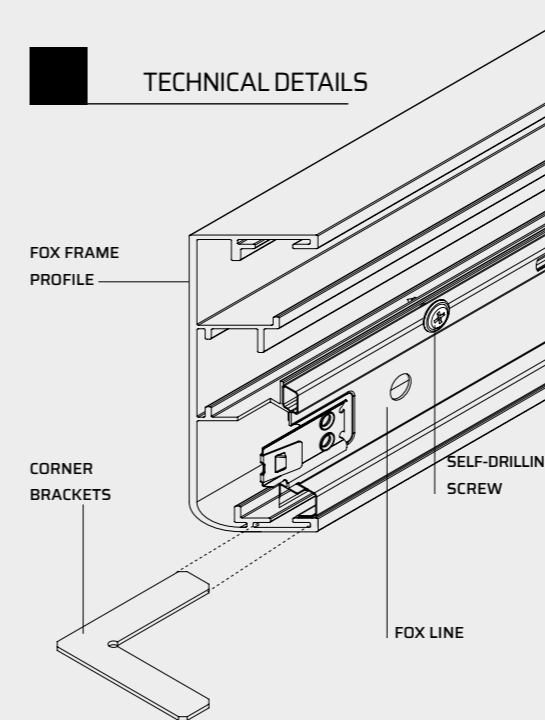
STRUCTURE COLORS



SUITABLE PANELS AND OPEN CELL * Panels available in meta mesh.



TECHNICAL DETAILS



CEILING OPTIONS

STANDARD COLOR AND PERFORMATIONS

Standard color
White - silver
RAL/NCS Coating

Sublimation or digital printing of any image and effect

Plain or perforated surface
Metal Mesh R/Q 6-8-10 models
Macramè made in steel

Open cell modules:
Base 4 h18
Base 4 h30

SPECIAL FINISHING
DIGITAL PRINTING
SUBLIMATION

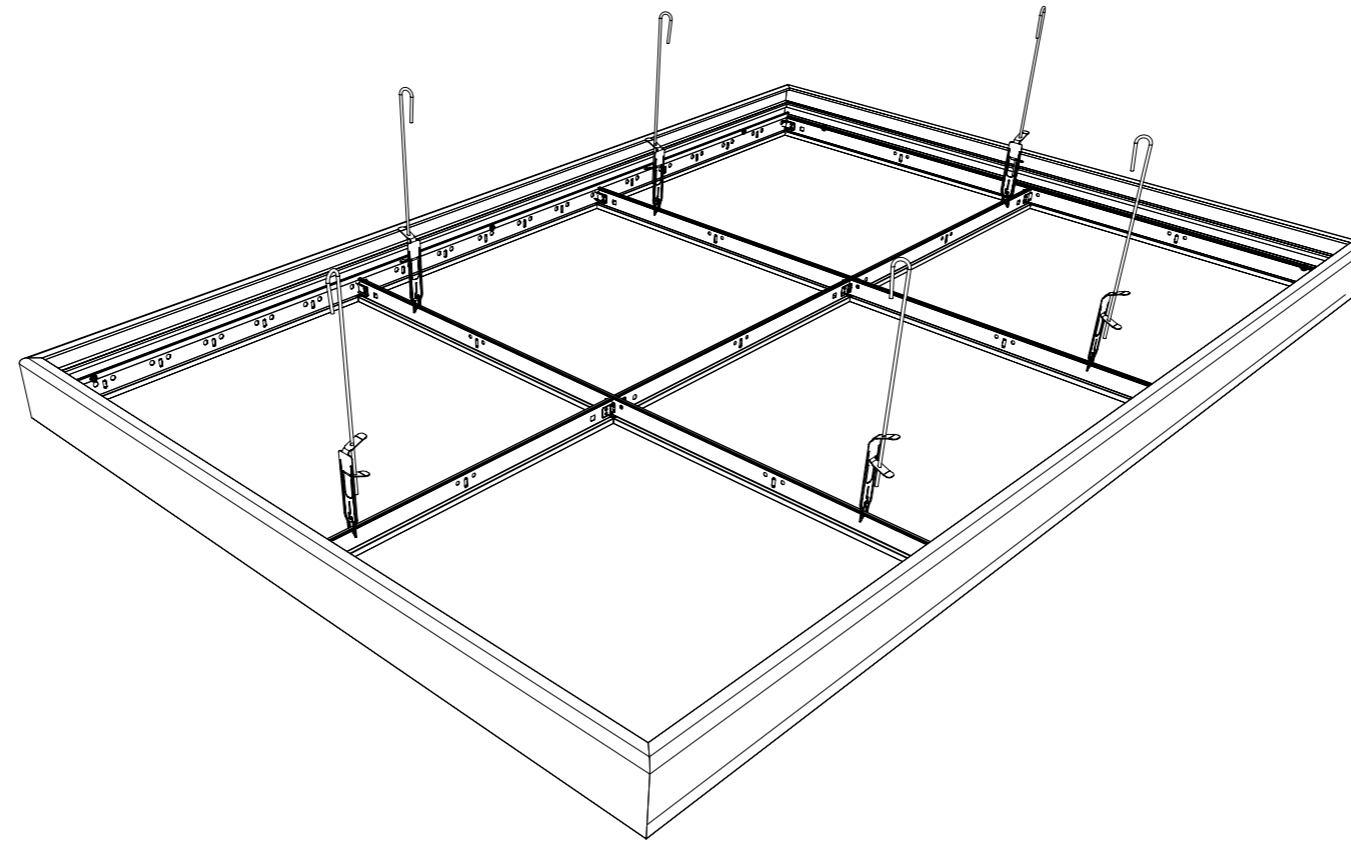
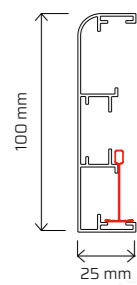
METAL MESH

OPEN CELL
BASE 4 H18
BASE 4 H30



FOX Frame - FOX T15

System section



Picture: Ceilig system 15 LINEAR DESIGN - FOX T15

FLOATING CEILING SYSTEM - EASY T15

T_GRID:

FOX T15 600 | 1200 | 3700 mm module
 Bearing capacity 8 kg/m²
 Colour: White | Silver | Black

PANELS:

15 Linear Design 600x600 | 600x1200 mm
 Right / Bevelled edge - 9/ 15 mm drop |
 Alluminium: 5/10 - 6/10 - 7/10 | Steel: 5/10 - 6/10
 Metal Mesh: R/Q 6-8-10 | Macramè made in steel
 Expanded metal panels right edge 9 mm drop only

OPEN CELLS:

Base 15 | 600x600 - 600x1200 mm | Alluminium: 5/10
 Mesh: 50x50 | 60x60 | 75x75 | 86x86 | 100x100 | 120x120 | 150x150 | 200x200
Base 4 h18 and h30 | 600x600 - 600x1200 mm | Alluminium: 4/10
 Mesh: 20x20 | 30x30 | 40x40 | 50x50 | 60x60 | 75x75

WALL ANGLES:

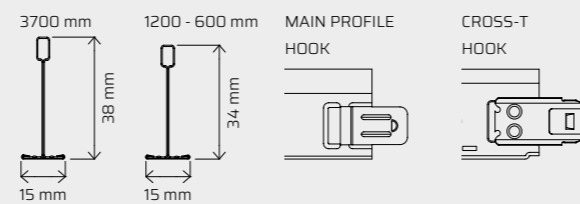
FOX FRAME in post painted extruded alluminium
 Dimension: 25x100mm L=6000mm | Corner brackets to stiffen the system.

HANGERS:

Twister, Nonius, Standard with spring, 90° hanger
 Suspensions to evaluate according to the load at m², to the project features and antiseismic requirements.

STRUCTURE AND PANELS

EASY T15: 3700 | 1200 | 600 mm

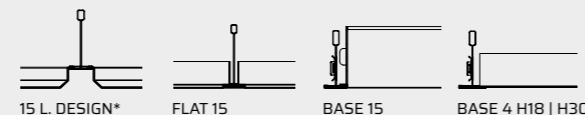


STRUCTURE COLORS

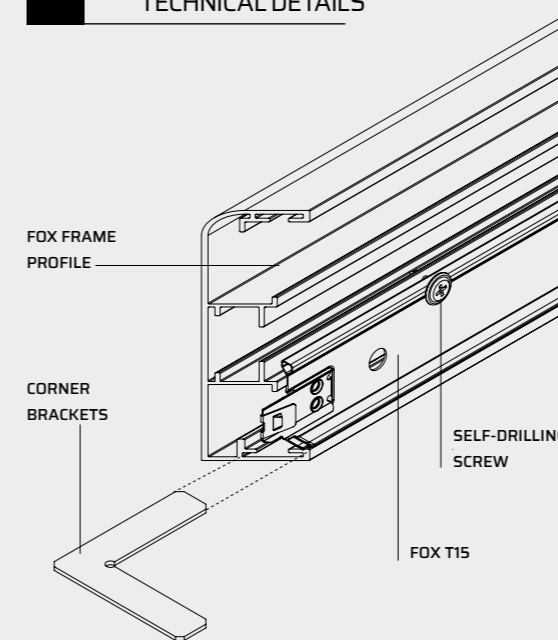


Corrosion Resistance White | Silver | Black: C2 | Totally white: C3
 RAL/NCS coating and antimicrobial treatment: C2/C4

SUITABLE PANELS AND OPEN CELL * Panels available in meta mesh.



TECHNICAL DETAILS



CEILING OPTIONS

Standard color
 White - silver
 RAL/NCS Coating
 Sublimation or digital printing of any image and effect
 Plain or perforated surface
 Metal Mesh R/Q 6-8-10 models
 Macramè made in steel
 Open cell modules:
 Base 15
 Base 4 h18
 Base 4 h30

STANDARD COLOR AND PERFORMATIONS



SPECIAL FINISHING
 DIGITAL PRINTING
 SUBLIMATION



METAL MESH

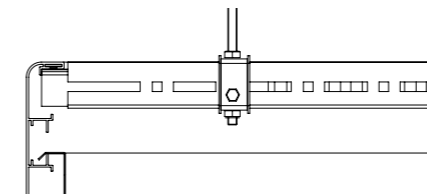
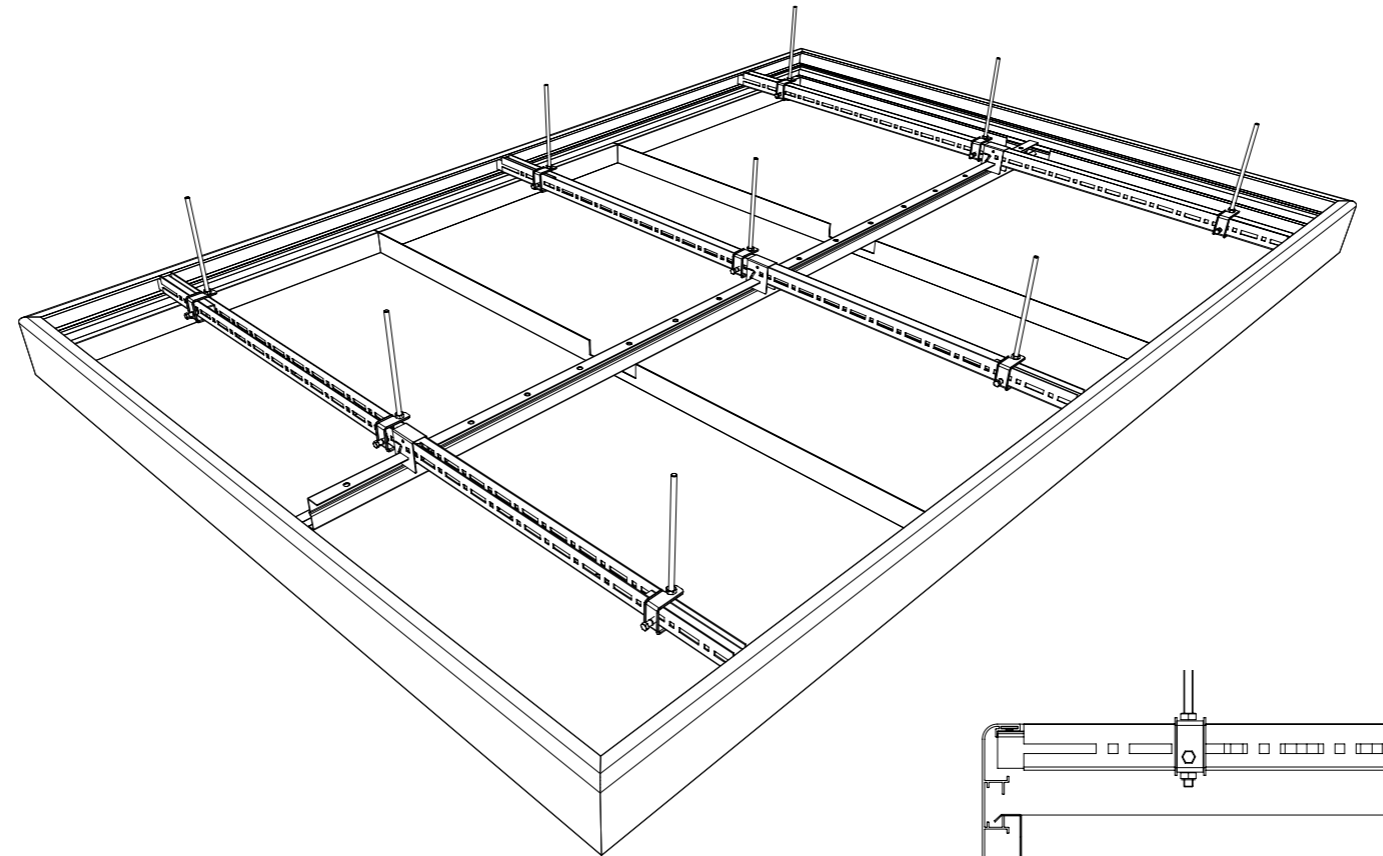
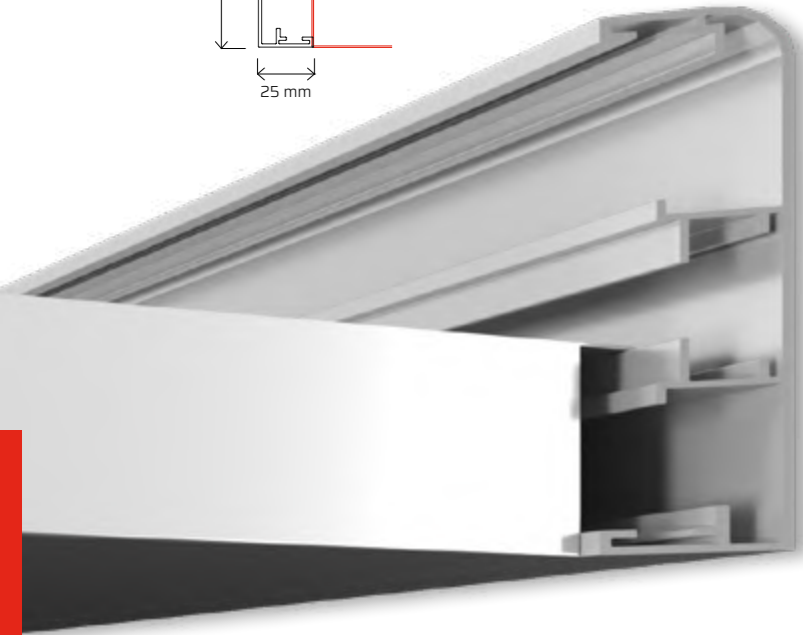
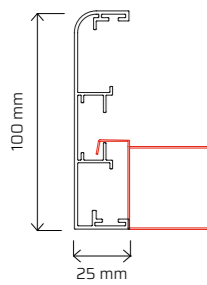


OPEN CELL
 BASE 15
 BASE 4 H18
 BASE 4 H30



FOX Frame - FOX T15

System section



System section



Picture: "Z" SYSTEM island ceiling system

FLOATING CEILING SYSTEM - "Z" SYSTEM

STRUTTURA:

Hidden structure made up of "Z" shaped profiles in 12/10 galvanised steel and "U" punched profiles in 15/10 galvanised steel.

PANNELLI:

"Z" SYSTEM panels, right edge, side by side, or 4 mm gap on 2/4 sides
Custom made dimensions.

Aluminium 7/10 - 8/10

Steel: 5/10 - 6/10 - 7/10

Metal Mesh: R/Q 6-8-10 | ML 28x12 | MR 43x18 | MR 16x8

Macramè made in steel | Bouclè made in steel

Other meshes on request.

WALL ANGLES:

COMBi frame in post painted extruded aluminium

Dimension: 25x100mm L=6000mm

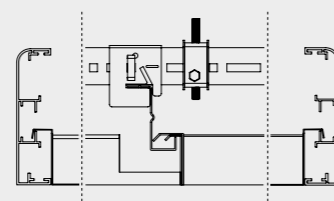
Corner brackets to stiffen the system.

HANGERS:

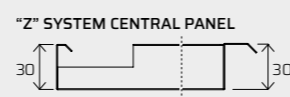
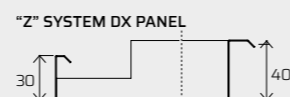
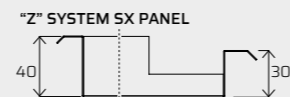
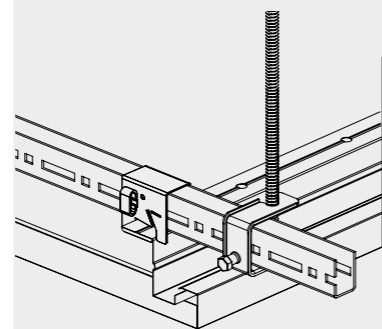
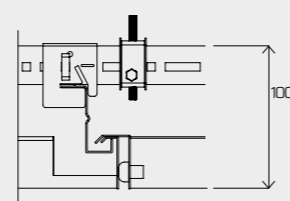
Threaded bars with brackets for "U" punched profiles
Suspensions to evaluate according to the load at m², to the project features and antiseismic requirements.

STRUCTURE AND PANELS

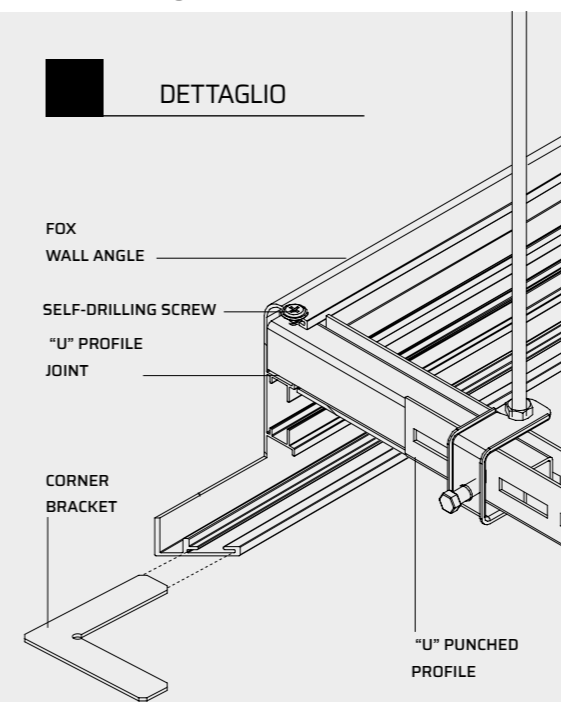
SYSTEM SECTION DETAILS
SIDE BY SIDE PANELS



PANELS WITH GAP DETAIL
OPTIONAL



DETTAGLIO



PANNELLI

Standard color
White - silver
RAL/NCS Coating
Sublimation or digital printing of any image and effect
Plain or perforated surface

Metal Mesh:
R/Q 6-8-10
ML 28x12 | MR 43x18 | MR 16x8
Macramè made in steel
Bouclè made in steel

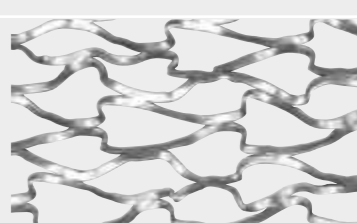
STANDARD
COLOR AND
PERFORATIONS



SPECIAL
FINISHING
DIGITAL PRINTING
SUBLIMATION




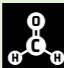




METAL MESH



PERFORMANCE

| | | |
|---|---|---|
|  | EXPOSURE CLASS | A Class |
|  | CLIP TENSILE STRENGTH | Fox T15 / Fox Line hook 180 N |
|  | FLEXION RESISTANCE | Maximum span mm 1200 - 1 Class EN13964 |
|  | CORROSION RESISTANCE | Galvanized steel products: C2 Class Pre-painted galvanized steel products: C3 Class Post-painted galvanized steel products: C4 Class Pre/post-painted aluminium products: C5 Class |
|  | (RH%) RELATIVE HUMIDITY RESISTANCE | Galvanized steel products: ≤ 90% Pre/post-painted galvanized steel products: > 90% Stainless steel and aluminium products: > 90 |
|  | FIRE REACTION UNI EN 13501-1 | A1 Class |
|  | FIRE RESISTANCE UNI EN 13501-2 | Fox T15 REI 120 rockwool panels 15mm thick. Concrete deck IG299074-3475 UNI EN 13501-1-2 |
|  | METAL CEILING MAXIMUM LOAD | FOX T15 8 Kg/m ² FOX Line 14 Kg/m ² |
|  | COLOR STABILITY | In compliance with standard technical tolerances. Test according the ΔE - CIELab method. ISO 7724-2 (3) |
|  | LIGHT REFLECTION | Gloss smooth white: up to 85% ISO 7724-2 (3) |
|  | CLEANING | Wet cloth with warm water and neutral non-abrasive detergents. |
|  | DURABILITY OF PAINTED ITEMS | C Class EN13964 |
|  | DURABILITY OF GALVANIZED ITEMS | B Class EN13964 |

SUSTAINABILITY

| | | | | | |
|---|---|--|---|---|--|
|  | RELEASE OF DANGEROUS SUBSTANCES* | None CAM 2.4.13 EN13964 |  | FORMALDEHYDE* | E1 Class CAM 2.3.5.5 |
|  | DISASSEMBLY* | Steel Aluminium 100% recyclable CAM 2.4.11 |  | MATERIAL DEMOLITION AND REMOVAL* | Non hazardous waste in compliance with CAM 2.5.1. |
|  | RECYCLED PRODUCT CONTENT* | CAM 2.4.18 compliance |  | GREEN BUILDING | Requirements: LEED (BREEAM and ITACA for cross-section aspects) |

* Data declaration as required by the ISO 14021 standard



FIND OUT MORE

ifc.co.il

FOX FRAME

ISLAND APPLICATION



I.F.C. LTD
14, Habana Im. Street P.O. BOX 12384 Ashood
Tel: +972 8 6699111 Fax: +972 8 6699122
ifc.co.il - info@ifc.co.il



Design and Manufacturing:
Atena S.p.A. | Italy | atena-it.com
Italian selected maker

Picture:
15 LINEAR D.
FOX T15

Credits:
[istockphoto.com](https://www.istockphoto.com): p.7-10
[stock.adobe.com](https://www.stock.adobe.com): p.1-2

The settings are reinterpreted
with photorealistic reconstructions
by Atena S.p.A.
All rights reserved.

ATENA S.P.A. HAS A QUALITY
MANAGEMENT SYSTEM CERTIFIED BY
RINA IN COMPLIANCE WITH ISO 9001